

# SHERLOCK

**LASTS LONGER**

## **Assembly Instructions**

MANBBGC200S - REV C 19/10/18

### **SHERLOCK STEEL GARDEN CART BBGC200S**



**SILVAN AUSTRALIA PTY. LTD.**

ABN 48 099 851 144

**HEAD OFFICE**

68 Atlantic Drive, Keysborough VIC 3173

[www.sherlocklastlonger.com.au](http://www.sherlocklastlonger.com.au)

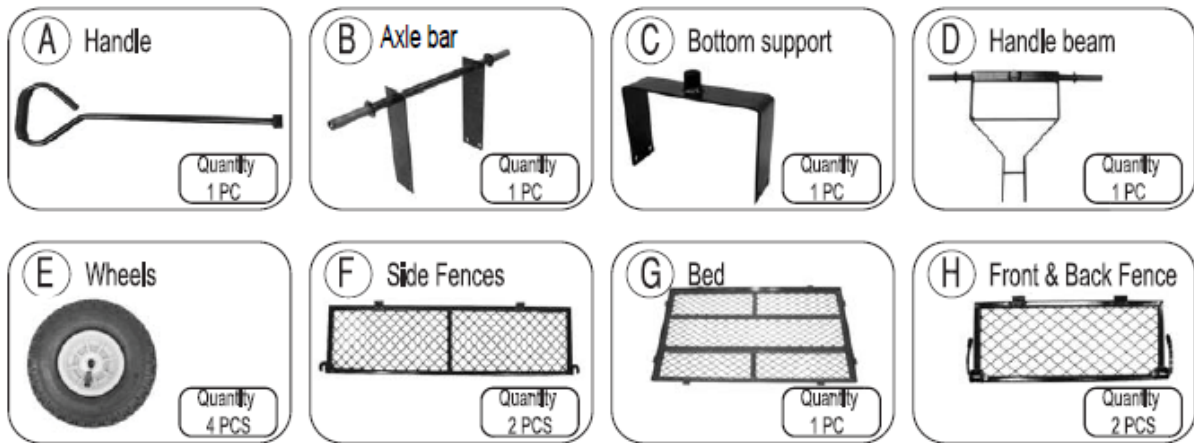
FOR SERVICE SUPPORT PH 1300 745826

[info@silvanaust.com](mailto:info@silvanaust.com)

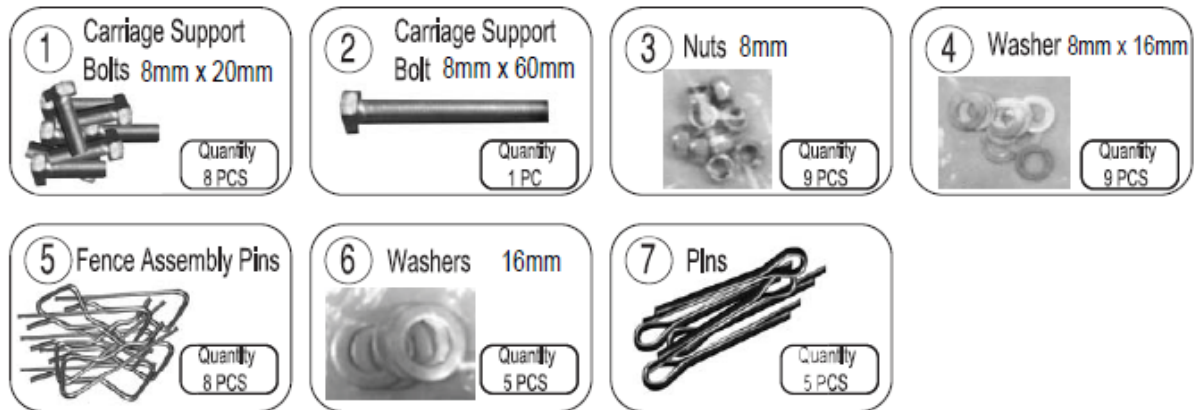
## **IMPORTANT SAFETY INSTRUCTIONS**

- When inflating tyres, it is recommend using a bicycle or foot pump to prevent over inflation. The maximum pressure is 30psi. Never use air compressors as the risk of over inflation and bursting is high.
- Do not allow children to use the cart without supervision, it is not a toy.

## PARTS LIST



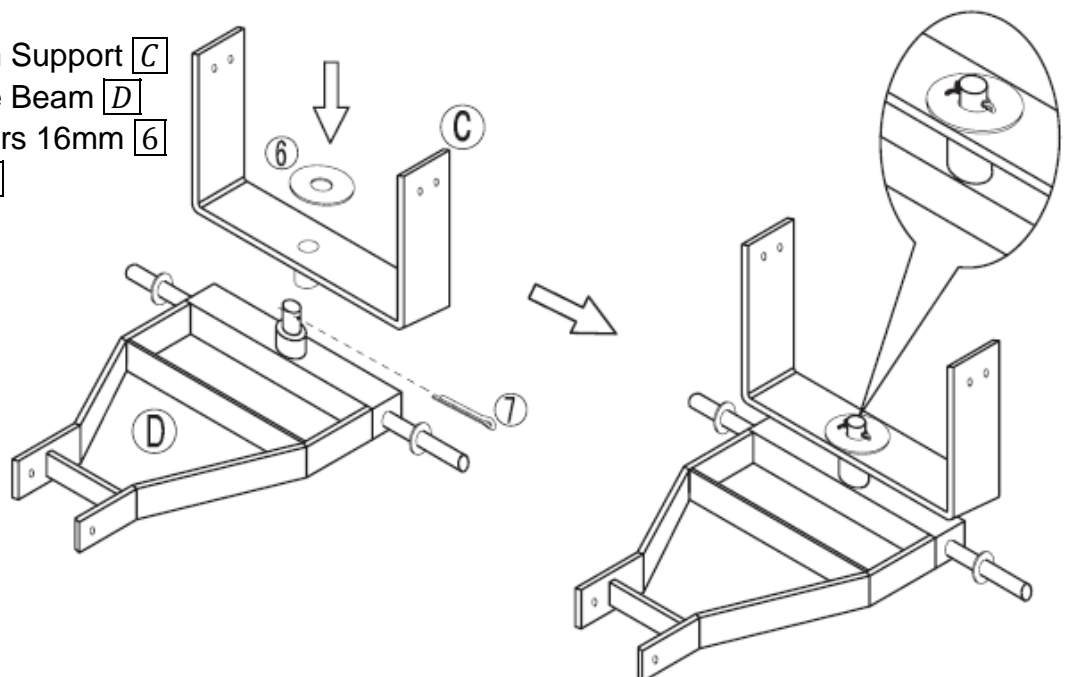
## HARDWARE LIST



## Step 1: BOTTOM SUPPORT AND HANDLE BEAM

Assemble parts **C** and **D** together, use washer **6** and pin **7** to secure as shown in the diagrams.

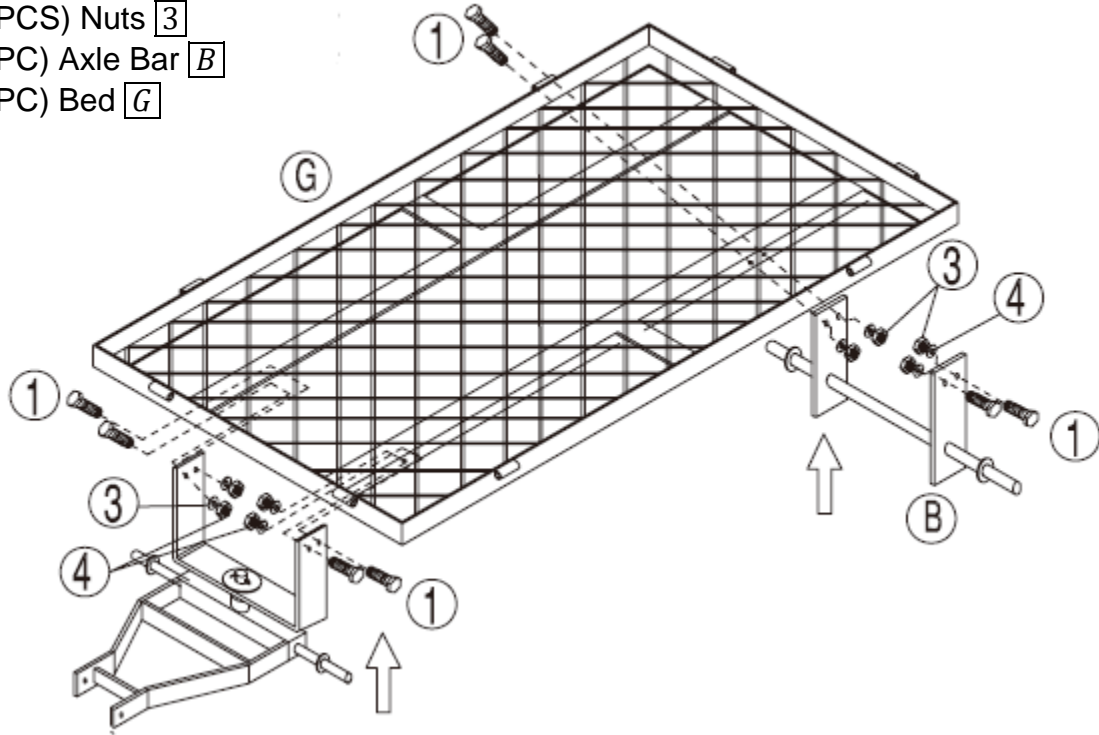
- (1 PC) Bottom Support **C**
- (1 PC) Handle Beam **D**
- (1 PC) Washers 16mm **6**
- (1 PC) Pins **7**



## Step 2: BED AND AXLE BAR

Use assembled part from Step 1 for the front of the bed **G**, use bolts (4 PCS) **1**, (4 PCS) nuts **3** and washers **4** to fasten this to the bed. Use remaining nuts **3**, bolts **1** and washers **4** to fasten axle bar **B** to the back of the bed.

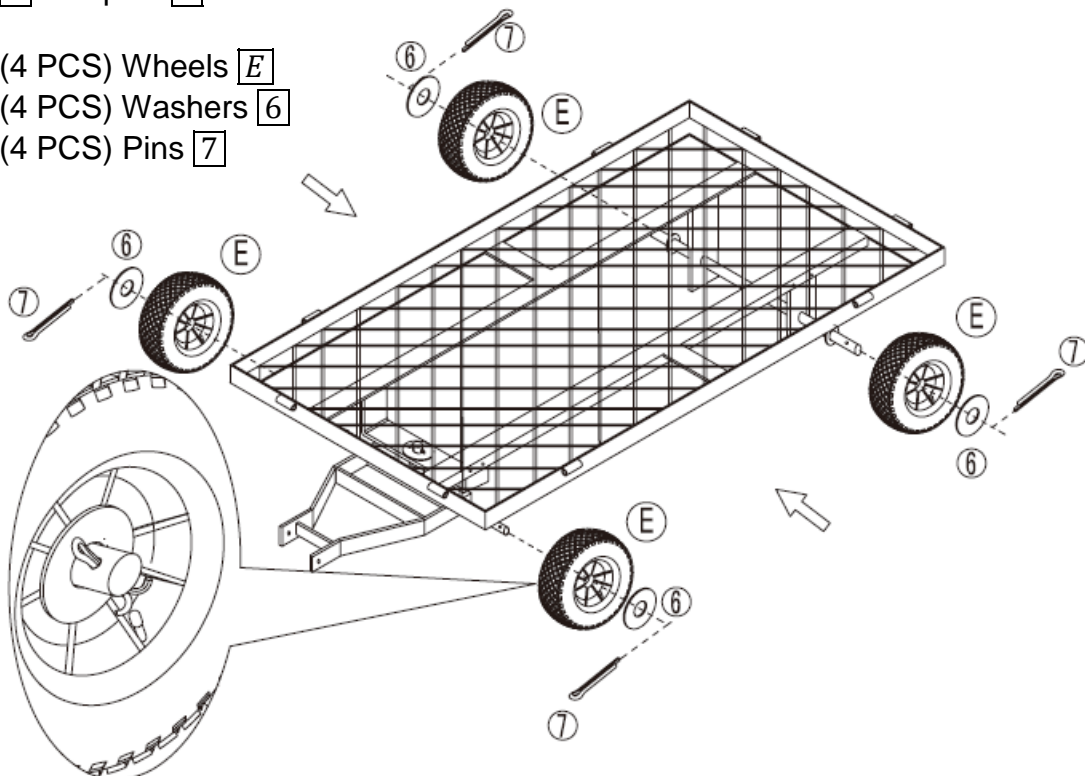
- (8 PCS) 8mm x 16mm Washer **4**
- (8 PCS) 8mm x 60mm Carriage Support Bolts **1**
- (8 PCS) Nuts **3**
- (1 PC) Axle Bar **B**
- (1 PC) Bed **G**



## Step 3: WHEELS

Connect the wheels to the axle bar at the front and back as shown. Use washers **6** and pins **7** to secure each wheel.

- (4 PCS) Wheels **E**
- (4 PCS) Washers **6**
- (4 PCS) Pins **7**



## Step 4: FRAME

Lock side fence **F** to each side of the bed using assembly pins **5** as shown, use remaining assembly pins **5** to secure the front and back fence **H** to the bed.

(2 PCS) Side Fences **F**

(2 PCS) Front & Back Fences **H**

(8 PCS) Fence Assembly Pins **5**

